

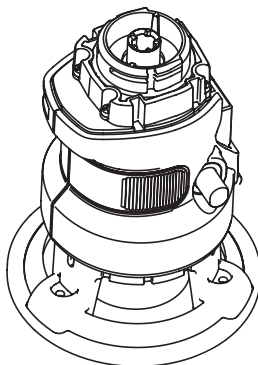
 **BLACK & DECKER**[®]

MATRIX[™]

**ROUTER
ATTACHMENT**

INSTRUCTION MANUAL

Catalog Number
BDCMTR



**Thank you for choosing Black & Decker!
Go to www.BlackandDecker.com/NewOwner
to register your new product.**

**PLEASE READ BEFORE RETURNING THIS
PRODUCT FOR ANY REASON:**

If you have a question or experience a problem with your Black & Decker purchase, go to

[HTTP://WWW.BLACKANDDECKER.COM/INSTANTANSWERS](http://WWW.BLACKANDDECKER.COM/INSTANTANSWERS)

If you can't find the answer or do not have access to the Internet,
call 1-800-544-6986 from 8 a.m. to 5 p.m. EST Mon. - Fri. to speak with an agent.

Please have the catalog number available when you call.

SAVE THIS MANUAL FOR FUTURE REFERENCE.

VEA EL ESPANOL EN LA CONTRAPORTADA.

INSTRUCTIVO DE OPERACIÓN, CENTROS DE SERVICIO Y PÓLIZA DE GARANTÍA.
ADVERTENCIA: LÉASE ESTE INSTRUCTIVO ANTES DE USAR EL PRODUCTO.

⚠WARNING: Read all safety warnings and all instructions. *Failure to follow the warnings and instructions may result in electric shock, fire and/or serious injury.*

Save all warnings and instructions for future reference.

⚠WARNING: Read all safety warnings and all instructions provided with your Power Unit (BDCDMT112, BDCDMT120, or BDEDMT) before using this attachment. *Failure to follow the warnings and instructions may result in electric shock, fire and/or serious injury.*

SPECIFIC SAFETY RULES

- **Hold power tool by insulated gripping surfaces, because the cutter may contact its own cord.** *Cutting a “live” wire may make exposed metal parts of the power tool “live” and shock the operator.*
- **Use clamps or another practical way to secure and support the workpiece to a stable platform.** *Holding the work by your hand or against the body leaves it unstable and may lead to loss of control.*
- **Keep handles dry, clean, and free from oil and grease.** This will enable better control of the tool.
- **Keep hands away from cutting area. Never reach under the workpiece for any reason.** **Keep the router base firmly in contact with the workpiece when cutting. Hold the router only by identified gripping surfaces as identified in this manual (see Using the Router).** These precautions will reduce the risk of personal injury.

Kickback is a sudden reaction to a pinched, bound or misaligned router bit, causing an uncontrolled router to lift up and out of the workpiece toward the operator.

- **Keep your body positioned parallel to the direction of the cut, not behind the direction of the cut.** *KICKBACK could cause the router to jump opposite the direction of the cut.*
- **Use sharp cutters.** Dull cutters may cause the router to swerve or stall under pressure.
- **Never touch the bit immediately after use.** It may be extremely hot.
- **Be sure that the motor has stopped completely before you lay the router down.** If the cutter head is still spinning when the tool is laid down, it could cause injury or damage.
- **Be sure that the router bit is clear of the workpiece before starting the motor.** If the bit is in contact with the workpiece when the motor starts it could make the router jump, causing damage or injury.
- **Only use router bits with a shank diameter of 1/4”.**
- **Only use router bits rated at least equal to the maximum speed marked on the tool.**
- **Do not use router bits with a diameter greater than 1-3/8” (35mm).** Use of larger than recommended bits can result in a hazard.
- **Not intended to be used with a router table. Do not use the tool in an inverted position.**
- **Do not attempt to use the tool in a stationary mode.**
- **Make sure collet nut is securely tightened to prevent router bit from slipping during use.**

⚠WARNING: **ALWAYS** use safety glasses. *Everyday eyeglasses are NOT safety glasses. Also use face or dust mask if drilling operation is dusty. ALWAYS WEAR CERTIFIED SAFETY EQUIPMENT:*

- ANSI Z87.1 eye protection (CAN/CPA Z94.3),
- ANSI S12.6 (S3.19) hearing protection,
- NOSH/OSHA respiratory protection.

⚠WARNING: **Some dust created by power sanding, sawing, grinding, drilling, and other construction activities contains chemicals known to the state of California to cause cancer, birth defects or other reproductive harm. Some examples of these chemicals are:**

- *lead from lead-based paints,*
- *crystalline silica from bricks and cement and other masonry products, and*
- *arsenic and chromium from chemically-treated lumber.*

Your risk from these exposures varies, depending on how often you do this type of work. To reduce your exposure to these chemicals: work in a well ventilated area, and work with approved safety equipment, such as those dust masks that are specially designed to filter out microscopic particles.

- **Avoid prolonged contact with dust from power sanding, sawing, grinding, drilling, and other construction activities. Wear protective clothing and wash exposed areas with soap and water.** *Allowing dust to get into your mouth, eyes, or lay on the skin may promote absorption of harmful chemicals.*

⚠WARNING: Use of this tool can generate and/or disperse dust, which may cause serious and permanent respiratory or other injury. *Always use NOSH/OSHA approved*

respiratory protection appropriate for the dust exposure. Direct particles away from face and body. Always operate tool in well-ventilated area and provide for proper dust removal. Use dust collection system wherever possible.

⚠ WARNING: ALWAYS wear proper personal hearing protection that conforms to ANSI S12.6 (S3.19) during use. Under some conditions and duration of use, noise from this product may contribute to hearing loss.

SYMBOLS

The label on your tool may include the following symbols. The symbols and their definitions are as follows:

V.....volts	A.....amperes
Hz.....hertz	W.....watts
min.....minutes	~.....alternating current
===.....direct current	n_0no load speed
⚡.....Class I Construction (grounded)	⊕.....earthing terminal
⊞.....Class II Construction (double insulated)	⚠.....safety alert symbol
📖.....Read instruction manual before use	.../min or rpm.....revolutions or reciprocation per minute
👁.....Use proper eye protection	🧴.....Use proper respiratory protection
	👂.....Use proper hearing protection

When using an extension cord, be sure to use one heavy enough to carry the current your product will draw. An undersized cord will cause a drop in line voltage resulting in loss of power and overheating. The following table shows the correct size to use depending on cord length and nameplate ampere rating. If in doubt, use the next heavier gage. The smaller the gage number, the heavier the cord.

Volts	Minimum Gauge for Cord Sets				
	Total Length of Cord in Feet				
120V	0-25 (0-7,6m)	26-50 (7,6-15,2m)	51-100 (15,2-30,4m)	101-150 (30,4-45,7m)	
	240V	0-50 (0-15,2m)	51-100 (15,2-30,4m)	101-200 (30,4-60,9m)	201-300 (60,9-91,4m)
Ampere Rating		American Wire Gauge			
More Than	Not more Than				
0 -	6	18	16	16	14
6 -	10	18	16	14	12
10 -	12	16	16	14	12
12 -	16	14	12	Not Recommended	

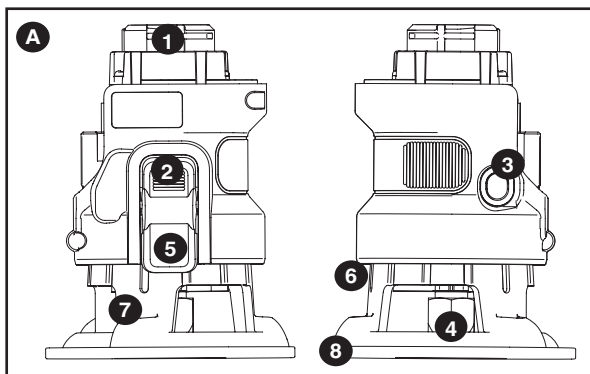
SAVE THESE INSTRUCTIONS

Functional Description

Figure A

1. Router attachment
2. Spindle lock button
3. Active lock-off button
4. Nut and Collet
5. Depth stop bar
6. Depth of cut scale
7. Chip shield
8. Base

Not shown:
Wrench



OPERATING INSTRUCTIONS

⚠ WARNING: Shock hazard. Under no circumstances should this product be used near water.

⚠ WARNING: To reduce the risk of injury, turn off and remove battery from tool or disconnect plug from power source before making any adjustments or removing or installing attachments or accessories.

⚠ WARNING: Risk of lacerations or burns. Do not touch work piece or bit immediately after operating the tool. They can become very hot. Handle carefully. Always allow accessories and workpiece to cool before handling.

NOTE: Refer to Power Unit instruction manual before operating this tool for all safety warnings and details on installing and removing attachments.

OPERATION

• To switch the tool on, press and hold the active lock-off button (3), then fully press the variable speed switch on the power unit. Once the bit begins to operate, release the active lock-off button (3).

• To switch the tool off, release the variable speed switch.

NOTE: Operate the router at full speed at all times.

NOTE: This attachment only operates in the forward direction, the forward/reverse slider of the Power Unit should not be able to be switch to reverse.

INSTALLING AND REMOVING A ROUTER BIT

⚠ WARNING: To reduce the risk of injury, turn off and remove battery from tool or disconnect plug from power source before making any adjustments or removing or installing attachments or changing bits. Failure to do so could result in accidental starting and possible injury.

BIT INSTALLATION AND REMOVAL (FIG. B)

NOTES:

- ROUTER IS NOT RECOMMENDED FOR USE WITH RAISED PANEL BITS.
- ROUTER IS NOT RECOMMENDED FOR USE IN METAL CUTTING APPLICATIONS.
- DO NOT USE ANY ROUTER BIT GREATER THAN 1-3/8" DIAMETER. USE PILOT (BALL BEARING) ROUTER BITS FOR EDGE PROFILE CUTTING.

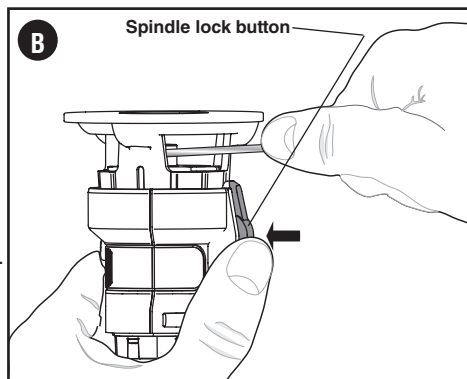
⚠ CAUTION: ROUTER BITS ARE SHARP, USE CARE WHEN HANDLING THEM.

INSTALLING BITS

⚠ WARNING: Turn the router off and remove battery from tool or disconnect plug from power source.

The router is equipped with a spindle lock feature that makes changing bits easy. Lock the spindle shaft by depressing the spindle lock button as shown in **figure B** and use the supplied wrench to loosen (counterclockwise) the collet nut (4).

- Keep the spindle lock button (2) depressed and rotate the spindle until the spindle lock fully engages.
- Place the router upside down on a smooth, flat surface.
- Loosen the collet nut (4) using the wrench provided. Insert the shank of the router bit into the collet (4).
- When installing router bits, be sure they are inserted as far as possible and then pulled out about 1/16" (1.5mm).
- Keep the spindle lock button (2) depressed and tighten the collet nut (4) clockwise (do not over-tighten) using the wrench provided.



NOTE: If the router base is set at its maximum depth, the collet nut cannot be tightened properly. Always insure that if the router base is adjusted to its maximum depth it must be backed off several rotations (counterclockwise) before tightening or loosening router bits. See "Setting the Router Depth" below for router base adjustment.

⚠ CAUTION: NEVER TIGHTEN COLLET NUT WITHOUT A 1/4" SHANK SIZE BIT INSERTED INTO COLLET. TO DO SO MAY BREAK OR DAMAGE COLLET.

REMOVING BITS

⚠ CAUTION: Burn hazard. Router bits get hot during use. Allow sufficient time for bit to cool before replacing.

- Keep the spindle lock button (2) depressed.
- Place the router upside down on a smooth, flat surface.
- Loosen (counterclockwise) the collet nut (4) using the wrench provided.
- Release button and remove bit.

CONTROLS

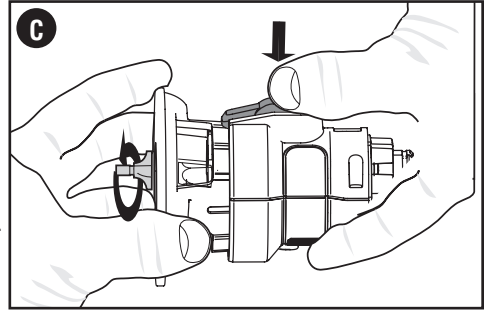
⚠ WARNING: To reduce the risk of injury, do not overload the tool. Let it work at its own pace.

⚠ WARNING: To reduce the risk of injury, turn off and remove battery from tool or disconnect plug from power source before making any adjustments or removing or installing attachments or accessories.

SETTING THE ROUTING DEPTH (FIG. C)

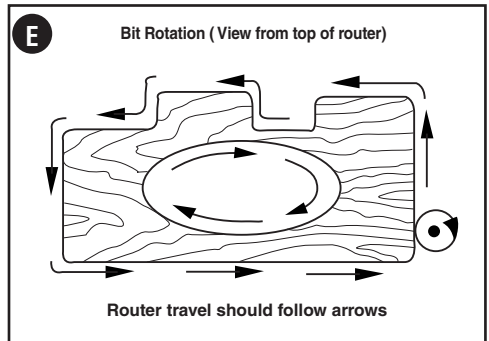
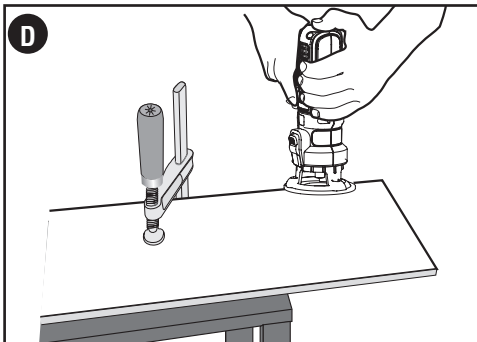
⚠ WARNING: Turn the router off and remove battery from tool or disconnect plug from power source.

1. Keep the spindle lock button (2) depressed and rotate the router base (8) as shown in **figure C**. Rotating the base clockwise will increase the routing depth while rotating the base counterclockwise will decrease the depth. Two complete revolutions of the base equals about 2 millimeters.
2. After obtaining the desired routing depth, release the spindle lock button (2). Continue turning the base until the notch under the spindle lock button aligns with the next closest locking slot in the depth of cut scale (6).



USING THE ROUTER (FIG. D & E)

1. Make sure that the material to be cut is clamped down and is stable enough to support the router during operation.
2. Use both hands on the power unit to control the router, and run the router at full speed at all times. See **figure D**.
3. Move the router counterclockwise when cutting outside edges. Move clockwise when cutting inside edges. See **figure E**.



FEEDING SPEED AND RATE OF CUT

Variation between materials and bit configurations dictates a wide variety of feed rates. Experience is the best measure for determining feed rate. Become familiar with the sound and feel of the router by making practice cuts in scrap material.

The router bit rotates at a very high speed and may heat up if the router is moved too slowly through the wood and cause burn marks. Feeding the router too fast or trying to remove too much material in a single pass will overload the motor. Use two or more passes for extra-large cuts (over 1/8" deep), especially in hard woods.

HINTS FOR OPTIMUM USE

When working on outside edges, move the tool counterclockwise (**figure E**). When working on inside edges, move the tool clockwise.

- Use pilot (ball bearing) router bits for edge profile cutting.
- Use HSS (high speed steel) router bits for softwood.
- Use TCT (tungsten carbide tipped) router bits for hardwood.
- Not recommended for plunge cutting.

TROUBLESHOOTING

<u>Problem</u>	<u>Possible Cause</u>	<u>Possible Solution</u>
• Unit will not start.	• Attachment is not secured.	• Make certain the attachment is fully pushed into the Power Unit.

For assistance with your product, visit our website www.blackanddecker.com for the location of the service center nearest you or call the BLACK & DECKER help line at **1-800-544-6986**.

NOTE: Refer to Power Unit instruction manual for troubleshooting solutions regarding operation of the Power Unit.

MAINTENANCE

Use only mild soap and damp cloth to clean the tool. Never let any liquid get inside the tool; never immerse any part of the tool into a liquid.

IMPORTANT: To assure product SAFETY and RELIABILITY, repairs, maintenance and adjustment (other than those listed in this manual) should be performed by authorized service centers or other qualified service personnel, always using identical replacement parts.

ACCESSORIES

⚠ WARNING: The use of any accessory not recommended for use with this tool could be hazardous. Recommended accessories for use with your tool are available from your local dealer or authorized service center. If you need assistance regarding accessories, please call: 1-800-544-6986.

This device complies with part 15 of the FCC rules. Operation is subject to the following two conditions: (1) This device may not cause harmful interference, and (2) this device must accept any interference received, including interference that may cause undesired operation.

NOTE: This equipment has been tested and found to comply with the limits for a Class B digital device, pursuant to Part 15 of the FCC Rules. These limits are designed to provide reasonable protection against harmful interference in a residential installation. This equipment generates, uses and can radiate radio frequency energy and, if not installed and used in accordance with the instructions, may cause harmful interference to radio communications. However, there is no guarantee that interference will not occur in a particular installation.

If this equipment does cause harmful interference to radio or television reception, which can be determined by turning the equipment off and on, the user is encouraged to try to correct the interference by one or more of the following measures:

- Reorient or relocate the receiving antenna.
- Increase the separation between the equipment and receiver.
- Connect the equipment into an outlet on a circuit different from that to which the receiver is connected.
- Consult the dealer or an experienced radio/TV technician for help.

Changes or modifications to this unit not expressly approved by the party responsible for compliance could void the user's authority to operate the equipment. This Class B digital apparatus complies with Canadian ICES-003.

SERVICE INFORMATION

All Black & Decker Service Centers are staffed with trained personnel to provide customers with efficient and reliable power tool service. Whether you need technical advice, repair, or genuine factory replacement parts, contact the Black & Decker location nearest you. To find your local service location, refer to the yellow page directory under "Tools—Electric" or call: **1-800-544-6986** or visit **www.blackanddecker.com**

FULL TWO-YEAR HOME USE WARRANTY

Black & Decker (U.S.) Inc. warrants this product for two years against any defects in material or workmanship. The defective product will be replaced or repaired at no charge in either of two ways. The first, which will result in exchanges only, is to return the product to the retailer from whom it was purchased (provided that the store is a participating retailer). Returns should be made within the time period of the retailer's policy for exchanges (usually 30 to 90 days after the sale). Proof of purchase may be required. Please check with the retailer for their specific return policy regarding returns that are beyond the time set for exchanges.

The second option is to take or send the product (prepaid) to a Black & Decker owned or authorized Service Center for repair or replacement at our option. Proof of purchase may be required. Black & Decker owned and authorized Service Centers are listed under "Tools-Electric" in the yellow pages of the phone directory.

This warranty does not apply to accessories. This warranty gives you specific legal rights and you may have other rights which vary from state to state or province to province. Should you have any questions, contact the manager of your nearest Black & Decker Service Center. This product is not intended for commercial use.

FREE WARNING LABEL REPLACEMENT: If your warning labels become illegible or are missing, call **1-800-544-6986** for a free replacement.

LATIN AMERICA: This warranty does not apply to products sold in Latin America. For products sold in Latin America, check country specific warranty information contained in the packaging, call the local company or see the website for warranty information.

Imported by:
Black & Decker (U.S.) Inc.,
701 E. Joppa Rd.
Towson, MD 21286 U.S.A.

See 'Tools-Electric'
– Yellow Pages –
for Service & Sales



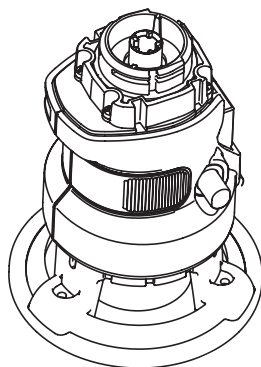
 **BLACK&DECKER®**

MATRIX™

MODULE DE TOUPIE

MODE D'EMPLOI

N° de catalogue
BDCMTR



Merci d'avoir choisi Black & Decker!
Consulter le site Web [www.BlackandDecker.com/](http://www.BlackandDecker.com/NewOwner)
NewOwner pour enregistrer votre nouveau produit.

À LIRE AVANT DE RETOURNER CE PRODUIT POUR QUELQUE RAISON QUE CE SOIT :

Si des questions ou des problèmes surgissent après l'achat d'un produit Black & Decker,
consulter le site Web

[HTTP://WWW.BLACKANDDECKER.COM/INSTANTANSWERS](http://WWW.BLACKANDDECKER.COM/INSTANTANSWERS)

Si la réponse est introuvable ou en l'absence d'accès à Internet, composer le
1-800-544-6986 de 8 h à 17 h HNE, du lundi au vendredi, pour parler avec un agent.

Prière d'avoir le numéro de catalogue sous la main lors de l'appel.

CONSERVER CE MANUEL POUR UN USAGE ULTÉRIEUR.

⚠ AVERTISSEMENT : Lire tous les avertissements de sécurité et toutes les directives. Le non-respect des avertissements et des directives pourrait se solder par un choc électrique, un incendie et/ou une blessure grave.

Conserver tous les avertissements et toutes les directives pour un usage ultérieur.

⚠ AVERTISSEMENT : Lire tous les avertissements de sécurité et toutes les directives fournies avec le bloc d'alimentation (BDCDMT112, BDCDMT120 ou BDEDMT) avant d'utiliser l'accessoire. Le non-respect des avertissements et des directives peut entraîner des risques de décharge électrique, d'incendie ou de blessures graves.

- **Tenir l'outil par électrique sa surface de prise isolée dans une situation où l'outil de coupe peut entrer en contact avec un câblage caché ou avec son propre cordon d'alimentation.** Tout contact avec un fil « sous tension » mettra « sous tension » les pièces métalliques de l'outil et causera un choc électrique à l'opérateur de l'outil.
- **Utiliser des brides de fixation ou un autre dispositif de fixation permettant de soutenir et de retenir la pièce sur une plate-forme stable.** Tenir la pièce avec la main ou contre son corps la rend instable et risque de provoquer une perte de maîtrise de l'outil.
- **Maintenir les poignées sèches, propres et exemptes d'huile et de graisse.** Cela permettra de mieux maîtriser l'outil.
- **Éloigner les mains de la zone de découpe. Ne jamais de pencher sous la pièce en aucune circonstance. Tenir la semelle de la toupie fermement en contact avec la pièce en cours de coupe. Tenir la toupie uniquement par les poignées.** Ces précautions réduiront le risque de blessure corporelle.
- **Utiliser des fraises aiguisées.** Les fraises émoussées peuvent faire zigzaguer la toupie ou la bloquer sous la pression.
- **Ne pas toucher la fraise immédiatement après usage.** Elle pourrait être extrêmement chaude.
- **S'assurer que le moteur soit complètement à l'arrêt avant de déposer la toupie.** Si l'organe de coupe tourne encore lors du dépôt de l'outil, il y a risque de blessure ou dommage.
- **S'assurer que la fraise ne touche pas à la pièce avant de démarrer le moteur.** Si non, lors du démarrage moteur, la toupie pourrait « sauter » et provoquer un dommage ou une blessure.
- **Utiliser uniquement des fraises dont le diamètre de la queue correspond à la taille du mandrin de l'outil.**
- **Utiliser uniquement des fraises compatibles pour le régime sous vide de l'outil.**
- **Ne jamais utiliser une fraise dont le diamètre excède le diamètre maximum de 35 mm (1-3/8 po).** L'utilisation de fraises dont le diamètre est supérieur à celle recommandée peut être dangereux.
- **Cet outil n'est pas prévu pour être utilisé avec une table de fraisage. Ne pas utiliser l'outil dans une position inversée.**
- **Ne pas essayer d'utiliser l'outil comme outil d'établi (mode fixe).**
- **S'assurer que l'écrou du mandrin soit solidement serré pour empêcher la fraise de glisser en cours de fonctionnement.**

⚠ AVERTISSEMENT : certaines poussières produites par les activités de ponçage, sciage, meulage, perçage et autres activités de construction peuvent contenir des produits chimiques pouvant causer le cancer, des anomalies congénitales ou d'autres problèmes liés aux fonctions reproductrices. Voici quelques exemples de ces produits chimiques :

- le plomb contenu dans les peintures à base de plomb;
- la silice cristalline provenant de la brique, du ciment et d'autres produits de maçonnerie;
- l'arsenic et le chrome provenant du bois traité chimiquement.

Les risques liés à l'exposition à ces poussières varient selon la fréquence à laquelle l'utilisateur travaille avec ce type de matériaux. Pour réduire l'exposition à ces produits chimiques, travailler dans un endroit bien ventilé et porter un équipement de sécurité approuvé comme un masque antipoussières conçu spécialement pour filtrer les particules microscopiques.

⚠ AVERTISSEMENT : TOUJOURS porter des lunettes de sécurité. Les lunettes de vue ne constituent PAS des lunettes de sécurité. Utiliser également un masque facial ou anti-poussière si l'opération de découpe génère de la poussière. TOUJOURS PORTER UN ÉQUIPEMENT DE PROTECTION HOMOLOGUÉ :

- *protection oculaire conforme à la norme ANSI Z87.1 (CAN/CSA Z94.3);*
- *protection auditive ANSI S12.6 (S3.19);*
- *protection des voies respiratoires conformes aux normes NIOSH/OSHA/MSHA.*

- Éviter le contact prolongé avec les poussières produites par les activités de ponçage, sciage, meulage, perçage et autres activités de construction. Porter des vêtements de protection et laver les parties du corps exposées avec une solution d'eau et de savon. Le fait de laisser la poussière pénétrer dans la bouche et les yeux ou de la laisser reposer sur la peau, peut promouvoir l'absorption de produits chimiques nocifs.

⚠ AVERTISSEMENT : l'utilisation de cet outil peut produire et/ou propulser des poussières qui pourraient causer des problèmes respiratoires graves et permanents, ou d'autres problèmes médicaux. Toujours porter un appareil respiratoire approuvé par la NIOSH/OSHA pour se protéger de la poussière. Diriger les particules loin du visage et du corps.

⚠ AVERTISSEMENT : porter une protection auditive personnelle appropriée pour utiliser cet appareil. Dans certaines conditions et selon la durée d'utilisation, le bruit provoqué par ce produit pourrait contribuer à une perte auditive.

SYMBOLES

- L'étiquette apposée sur votre outil pourrait comprendre les symboles suivants. Les symboles et leurs définitions sont indiqués ci-après :

V	volts	A	ampères
Hz	hertz	W	watts
min	minutes	~	courant alternatif
— — —	courant continu	n°	sous vide
Ⓛ	Construction de classe I (mis à la terre)	Ⓜ	borne de mise à la minute
□	Construction de classe II	⚠	symbole d'avertissement
.../min	tours à la minute		
📖	Lire le mode d'emploi avant l'utilisation		
👤	Utiliser une protection respiratoire adéquate.		
👁	Utiliser une protection oculaire adéquate.		
👂	Utiliser une protection auditive adéquate.		

- En cas d'utilisation d'une rallonge, s'assurer que les valeurs nominales de la rallonge utilisée correspondent bien à celles de l'outil alimenté. L'usage d'une rallonge de calibre insuffisant causera une chute de tension entraînant perte de puissance et surchauffe. Le tableau ci-dessous illustre les calibres à utiliser selon la longueur de rallonge et l'intensité nominale indiquée sur la plaque signalétique. En cas de doutes, utiliser le calibre suivant. Plus le calibre est petit, plus la rallonge peut supporter de courant.

Tension	Calibre minimal des cordons de rallonge			
	Longueur totale du cordon en pieds			
120V	0-25	26-50	51-100	101-150
	(0-7,6m)	(7,6-15,2m)	(15,2-30,4m)	(30,4-45,7m)
240V	0-50	51-100	101-200	201-300
	(0-15,2m)	(15,2-30,4m)	(30,4-60,9m)	(60,9-91,4m)
Intensité (A)		Calibre moyen des fils (AWG)		
Au moins	Au plus			
0 - 6	18	16	16	14
6 - 10	18	16	14	12
10 - 12	16	16	14	12
12 - 16	14	12	Non recommandé	

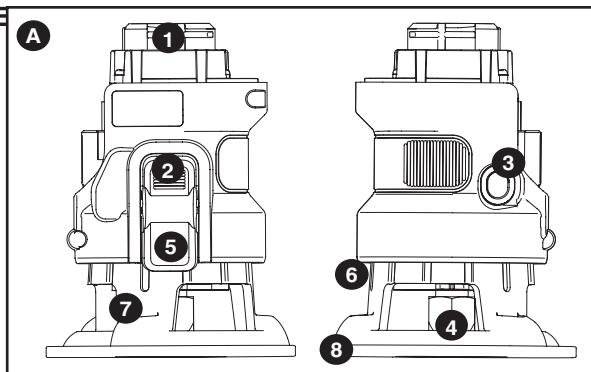
CONSERVER CES DIRECTIVES

DESCRIPTION FONCTIONNELLE

Figure A

1. Module de toupie BDCMTR
2. Bouton de verrouillage de la broche
3. Bouton de verrouillage
4. Pince
5. Tige de blocage de profondeur
6. Échelle de profondeur de coupe
7. Écran pare-copeaux
8. Base

Clé (non illustrée)



FONCTIONNEMENT

⚠ **MISE EN GARDE : Risque de choc électrique.** L'outil ne doit être utilisé près de l'eau en aucun temps.

⚠ **AVERTISSEMENT : Risque de lacérations ou de brûlures.** Ne pas toucher à la pièce ou à la lame immédiatement après avoir utilisé l'outil. En effet, elles peuvent devenir très chaudes. À manipuler avec précaution. Toujours laisser refroidir les accessoires et la pièce avant de les manipuler.

⚠ **AVERTISSEMENT : Pour réduire le risque de blessures,** éteindre l'outil et en retirer le bloc-piles ou débrancher la fiche de l'alimentation avant d'effectuer tout réglage ou de retirer ou d'installer tout module ou accessoire. Retirer tout accessoire du module avant le retrait ou l'installation du module.

REMARQUE : Consulter le mode d'emploi du bloc d'alimentation avant d'utiliser l'outil pour connaître tous les avertissements de sécurité et les détails au sujet de l'installation et du retrait des modules.

FONCTIONNEMENT

- Pour mettre l'outil en marche, appuyer sur la détente à vitesse variable. La vitesse de l'outil varie selon la pression qu'on exerce sur la détente.
- Pour éteindre l'outil, relâcher la détente à vitesse variable.

REMARQUE : Actionnez le routeur à toute vitesse à tout moment.

REMARQUE : Ce module ne fonctionne que vers l'avant. Le commutateur coulissant avant/arrière du bloc d'alimentation ne devrait pas être capable de commuter vers l'arrière.

INSERTION ET RETRAIT D'UNE FRAISE

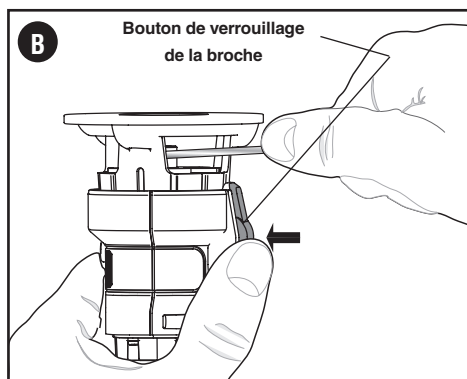
⚠ **AVERTISSEMENT :** Pour réduire le risque de blessures, éteindre l'outil et en retirer le bloc-piles ou débrancher la fiche de l'alimentation avant d'effectuer tout réglage, de retirer ou d'installer tout accessoire ou de changer de fraise. Négliger de se conformer à cette mesure peut se solder par un démarrage accidentel et une blessure éventuelle.

INSTALLATION ET RETRAIT DE LA FRAISE (FIG. B)

REMARQUES :

- IL N'EST PAS RECOMMANDÉ D'UTILISER LA TOUPIE AVEC LES FRAISES POUR LAMBRIS À TABLE SAILLANTE.
- IL N'EST PAS RECOMMANDÉ D'UTILISER LA TOUPIE DANS LES APPLICATIONS DE COUPE DU MÉTAL.
- N'UTILISER AUCUNE FRAISE DE PLUS DE 35 MM (1-3/8 PO) DE DIAMÈTRE.

⚠ **MISE EN GARDE : LES FRAISES SONT COUPANTES. MANIPULER AVEC PRÉCAUTION.**



INSTALLATION DES FRAISES

⚠ AVERTISSEMENT : Éteindre la toupie et en retirer le bloc-piles ou débrancher la fiche de l'alimentation.

La toupie est munie d'une fonction de verrouillage de la broche qui facilite le changement de fraise. Immobiliser l'arbre de la broche en enfonceant le bouton de verrouillage de la broche comme le montre la figure B et utiliser la clé fournie pour desserrer (dans le sens antihoraire) l'écrou de pince. Lors de l'installation de fraises, il faut s'assurer de les insérer aussi profondément que possible, puis les faire sortir d'environ 1,5 mm (1/16 po). Serrer fermement l'écrou de pince dans le sens horaire (ne pas trop serrer).

- Maintenir le bouton de verrouillage de la broche (2) enfoncé et tourner la broche jusqu'à ce que le verrou soit complètement engagé.
- Placer la toupie à l'envers sur une surface lisse et plane.
- Desserrer l'écrou de la pince (4) à l'aide de la clé fournie. Insérer la queue de la fraise dans la pince (4).
- S'assurer que la queue sort d'au moins 1,5 mm (1/16 po) de la pince.
- Maintenir le bouton de verrouillage de la broche (2) enfoncé et serrer l'écrou de la pince dans le sens horaire (ne pas trop serrer) (8) à l'aide de la clé fournie.

REMARQUE : Si la base de la toupie est réglée à sa profondeur maximale, il n'est pas possible de serrer adéquatement l'écrou de la pince. Lorsque la base de la toupie est à sa profondeur maximale, toujours s'assurer de la reculer de plusieurs rotations (dans le sens antihoraire) avant de serrer ou de desserrer les fraises. Voir « Réglage de la profondeur de touillage » ci-dessous en vue d'ajuster la base de la toupie.

⚠ MISE EN GARDE : NE JAMAIS SERRER UN ÉCROU DE PINCE EN L'ABSENCE DE FRAISE AVEC UNE QUEUE DE 6,4 MM (1/4 PO). LA PINCE RISQUE SINON D'ÊTRE BRISÉE OU ENDOMMAGÉE.

RETRAIT DES FRAISES

⚠ MISE EN GARDE : Risque de brûlure. Les fraises s'échauffent en cours d'utilisation. Laisser la fraise refroidir suffisamment avant de la remplacer.

- Maintenir le bouton de verrouillage de la broche (2) enfoncé.
- Desserrer (dans le sens antihoraire) l'écrou de la pince (4) à l'aide de la clé fournie.

COMMANDES

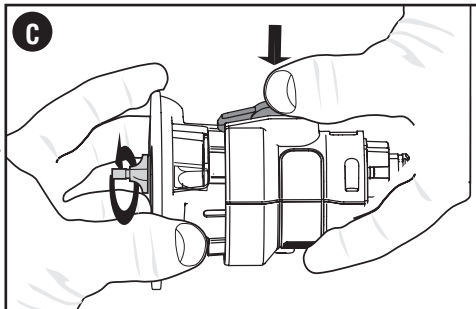
⚠ AVERTISSEMENT : Pour réduire le risque de blessures, ne pas surcharger l'outil. Le laisser travailler à sa propre vitesse.

⚠ AVERTISSEMENT : Pour réduire le risque de blessures, éteindre l'outil et en retirer le bloc-piles ou débrancher la fiche de l'alimentation avant d'effectuer tout réglage ou de retirer ou d'installer tout accessoire.

RÉGLAGE DE LA PROFONDEUR DE TOUILLAGE (FIG. C)

⚠ AVERTISSEMENT : Éteindre la toupie et en retirer le bloc-piles ou débrancher la fiche de l'alimentation.

1. Enfoncer le bouton de verrouillage de la broche et faire pivoter la base de la toupie comme le montre la figure C. Tourner la base dans le sens horaire pour accroître la profondeur de touillage et tourner la base dans le sens antihoraire diminue cette même profondeur. Deux rotations complètes de la base correspondent à environ .
2. Après avoir atteint la profondeur de touillage désirée, relâcher le bouton de verrouillage de la broche. Continuer de tourner la base jusqu'à ce que la coche sous le bouton de verrouillage de la broche s'aligne sur la prochaine fente de verrouillage de la base.

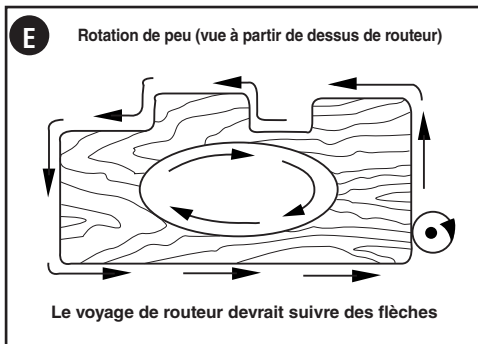
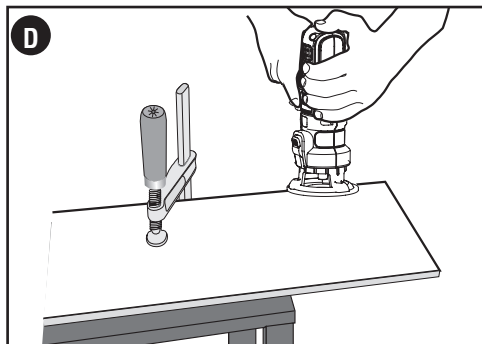


UTILISATION DE LA TOUPIE (FIG. D & E)

1. S'assurer que le matériel à couper soit bien fixé et suffisamment stable pour supporter la défonceuse en cours de fonctionnement.
2. Utiliser les deux mains sur le bloc d'alimentation pour commander la toupie et l'utiliser à plein

régime en tout temps. Consulter la **figure D**.

3. Déplacer la toupie en sens antihoraire lors du rainurage de bords externes. La déplacer en sens horaire lors de rainurage de bordures internes. Consulter la **figure E**.



VITESSE ET TAUX DE RAINURAGE

Les différences entre les matériaux et les modèles de fraise renvoient à une vaste gamme de vitesses de rainurage. L'expérience demeure le meilleur moyen pour déterminer la vitesse de rainurage. Se familiariser avec le son et la sensation de la toupie en effectuant des essais de coupe sur des chutes de matériel.

La fraise tourne à un régime très élevé et peut surchauffer si la toupie se déplace trop lentement dans le bois. Ceci laisse des marques de brûlure. Par contre, déplacer la toupie trop rapidement ou essayer de retirer trop de matière en un seul passage surcharge le moteur. Utiliser deux ou plusieurs passages pour le rainurage extra large (plus de 3,2 mm (1/8 po) de profondeur) principalement dans le bois dur.

CONSEILS POUR OPTIMISER L'UTILISATION

Lors de rainurage sur des bords externes, déplacer l'outil en sens antihoraire (**figure E**). Pour le travail sur des bordures internes, se déplacer en sens horaire.

- Employez le peu de routeur de pilote (roulement à billes) pour le découpage de profil de bord.
- Utiliser des fraises en acier rapide (high speed steel, HSS) pour le bois tendre.
- Utiliser des fraises à pointe au carbure de tungstène (tungsten carbide tipped, TCT) pour le bois dur.

DÉPANNAGE

Problème

- L'appareil refuse de démarrer

Cause possible

- Le module n'est pas solidement fixé.

Solution possible

- S'assurer que le module est poussé entièrement dans le bloc d'alimentation.

Pour de l'aide avec l'outil, consulter notre site Web www.blackanddecker.com pour l'emplacement du centre de réparation le plus près ou communiquer avec l'assistance BLACK & DECKER au **1-800-544-6986**.

REMARQUE : Consulter le mode d'emploi du bloc d'alimentation pour trouver des solutions de dépannage en cas de défaut de fonctionnement.

ENTRETIEN

Nettoyer l'outil seulement à l'aide d'un savon doux et d'un linge humide. Ne laisser aucun liquide s'infiltrer dans l'outil et ne jamais immerger l'outil.

IMPORTANT : Pour assurer la SÉCURITÉ D'EMPLOI et la FIABILITÉ de l'outil, n'en confier la réparation, l'entretien et les rajustements qu'à un centre de service ou à un atelier d'entretien autorisé n'utilisant que des pièces de rechange identiques.

ACCESSOIRES

⚠ AVERTISSEMENT : L'utilisation de tout accessoire non recommandé pour l'outil peut être dangereuse.

Les détaillants et le centre de service de la région vendent les accessoires recommandés pour l'outil. Pour trouver un accessoire, composer le **1 800 544-6986**.

Cet appareil est conforme aux dispositions du paragraphe 15 des règlements de la FCC. Son fonctionnement est régi par les deux conditions suivantes : (1) Cet appareil ne peut pas causer d'interférence nuisible et (2) cet appareil doit accepter toutes les interférences reçues, y compris celles qui risquent d'en gêner le fonctionnement.

REMARQUE : ce matériel a été testé et a été déclaré conforme aux limites en vigueur concernant les dispositifs numériques de classe B, en vertu de la partie 15 de la réglementation FCC. Ces limites visent à assurer une protection raisonnable contre tout brouillage nuisible dans une installation résidentielle. Ce matériel produit, consomme et peut émettre une énergie de radiofréquence et, s'il n'est pas installé et utilisé conformément aux directives qui l'accompagnent, il peut entraîner un brouillage nuisible des communications radio. Cependant, nous ne garantissons pas l'absence de brouillage dans tous les types d'environnement. Si, après avoir effectué une vérification en mettant l'appareil hors tension puis sous tension, l'utilisateur s'aperçoit que ce matériel provoque un brouillage nuisible à la réception des signaux de radio ou de télévision, il lui faudra essayer de corriger ce brouillage en prenant une ou plusieurs des mesures ci-dessous :

- Réorienter ou repositionner l'antenne de réception.
- Éloigner le plus possible le matériel du récepteur.
- Brancher le matériel dans une prise électrique située sur un circuit différent de celui du récepteur.
- Consulter le distributeur ou un technicien radio/télévision expérimenté pour obtenir de l'aide.

Tout changement ou toute modification à cet appareil qui n'est pas expressément approuvé par l'institution responsable de la conformité peut faire annuler le droit de l'utilisateur d'utiliser ce matériel. Cet appareil numérique de la classe B est conforme à la norme NMB-003 du Canada.

INFORMATION SUR LES RÉPARATIONS

Tous les centres de réparation Black & Decker sont dotés de personnel qualifié en matière d'outillage électrique; ils sont donc en mesure d'offrir à leur clientèle un service efficace et fiable. Que ce soit pour un avis technique, une réparation ou des pièces de rechange authentiques installées en usine, communiquer avec l'établissement Black & Decker le plus près de chez vous. Pour trouver l'établissement de réparation de votre région, consulter le répertoire des Pages jaunes à la rubrique « Outils électriques » ou composer le numéro suivant : **1-800-544-6986** ou consulter le site www.blackanddecker.com

GARANTIE COMPLÈTE DE DEUX ANS POUR UNE UTILISATION DOMESTIQUE

Black & Decker (É.-U.) Inc. garantit ce produit pour une durée de deux ans contre tout défaut de matériau ou de fabrication. Le produit défectueux sera remplacé ou réparé sans frais de l'une des deux façons suivantes :

La première façon consiste en un simple échange chez le détaillant qui l'a vendu (pourvu qu'il s'agisse d'un détaillant participant). Tout retour doit se faire durant la période correspondant à la politique d'échange du détaillant (habituellement, de 30 à 90 jours après l'achat). Une preuve d'achat peut être requise. Vérifier auprès du détaillant pour connaître sa politique concernant les retours hors de la période définie pour les échanges.

La deuxième option est d'apporter ou d'envoyer le produit (transport payé d'avance) à un centre de réparation autorisé ou à un centre de réparation de Black & Decker pour faire réparer ou échanger le produit, à notre discrétion. Une preuve d'achat peut être requise. Les centres Black & Decker et les centres de service autorisés sont répertoriés dans les pages jaunes, sous la rubrique « Outils électriques ».

Cette garantie ne s'applique pas aux accessoires. Cette garantie vous accorde des droits légaux spécifiques et vous pourriez avoir d'autres droits qui varient d'un État ou d'une province à l'autre. Pour toute question, communiquer avec le directeur du centre de réparation Black & Decker le plus près de chez vous. Ce produit n'est pas destiné à un usage commercial.

REPLACEMENT GRATUIT DES ÉTIQUETTES D'AVERTISSEMENT : si les étiquettes d'avertissement deviennent illisibles ou sont manquantes, composer le **1-800-544-6986** pour en obtenir le remplacement gratuit.

AMÉRIQUE LATINE : cette garantie ne s'applique pas aux produits vendus en Amérique latine. Pour ceux-ci, veuillez consulter les informations relatives à la garantie spécifique présente dans l'emballage, appeler l'entreprise locale ou consulter le site Web pour les informations relatives à cette garantie.

Imported by / Importé par
Black & Decker Canada Inc.
100 Central Ave.
Brockville (Ontario) K6V 5W6

**Voir la rubrique
"Outils électriques"
des Pages Jaunes
pour le service et les ventes.**

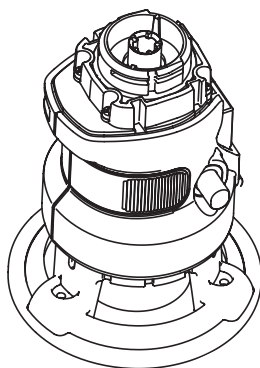
 **BLACK&DECKER®**

MATRIX™

**ADITAMENTO DE
SIERRA DE RECORTE**

MANUAL DE INSTRUCCIONES

**Catálogo N°
BDCMTR**



**Gracias por elegir Black & Decker!
Visite www.BlackandDecker.com/NewOwner
para registrar su nuevo producto.**

**LEA EL MANUAL ANTES DE DEVOLVER
ESTE PRODUCTO POR CUALQUIER MOTIVO:**

Si tiene una consulta o algún inconveniente con su producto Black & Decker, visite
[HTTP://WWW.BLACKANDDECKER.COM/INSTANTANSWERS](http://www.BLACKANDDECKER.COM/INSTANTANSWERS)

Si no encuentra la respuesta o no tiene acceso a Internet, llame al 1-800-544-6986 de
lunes a viernes de 8 a.m. a 5 p.m. hora del Este para hablar con un agente.

Cuando llame, tenga a mano el número de catálogo.

CONSERVE ESTE MANUAL PARA FUTURAS CONSULTAS.

⚠ ADVERTENCIA: Lea todas las advertencias de seguridad e instrucciones. El incumplimiento de las advertencias e instrucciones puede provocar descargas eléctricas, incendios o lesiones graves.

Conserve todas las advertencias e instrucciones para futuras consultas.

⚠ ADVERTENCIA: Lea todas las advertencias de seguridad y todas las instrucciones que vienen con la unidad motriz (CMCDMT120FC o CMEDMT) antes de utilizar este accesorio. *El incumplimiento de las advertencias e instrucciones puede provocar una descarga eléctrica, un incendio y/o lesiones graves.*

Normas específicas de seguridad

- Cuando realice una operación donde la herramienta de corte puede tocar cables eléctricos escondidos o su propio cable, sosténgala por las superficies aisladas de agarre. El contacto con un cable con corriente eléctrica hará que las partes expuestas de la herramienta tengan corriente y que el operador reciba una descarga eléctrica.
- **Utilice abrazaderas u otra forma práctica para asegurar y sostener la pieza de trabajo en una plataforma estable.** Sostener el trabajo con la mano o contra el cuerpo no brinda la estabilidad requerida y puede llevar a la pérdida del control.
- **Mantenga los mangos secos, limpios y libres de aceite y grasa.** Esto posibilitará un mejor control de la herramienta.
- **Mantenga las manos lejos de las zonas de corte. Nunca se extienda debajo de la pieza de trabajo por ningún motivo. Cuando corte, mantenga con firmeza la base de la rebajadora en contacto con la pieza de trabajo. Sólo sujete la rebajadora por los mangos.** Estas precauciones reducirán el riesgo de lesiones personales.
- **Mantenga el cuerpo a un u otro lado de la hoja de la sierra, nunca en línea con la misma.** El RETROCESO podría despedir la sierra hacia atrás (vea Causas del retroceso y prevención por parte del operador y RETROCESO).
- **Use cuchillas afiladas.** Las cuchillas desafiladas pueden hacer que la sierra se desvíe o se atasque al recibir presión.
- **Nunca toque la broca inmediatamente después de haberla usado.** Puede estar extremadamente caliente.
- **Antes de soltar la rebajadora, asegúrese de que el motor se haya detenido completamente.** Dejar la herramienta cuando el cabezal de la cuchilla aún se encuentra girando puede causar una lesión o un daño.
- **Asegúrese de que la broca de la rebajadora se halle fuera de la pieza de trabajo antes de encender el motor.** Si la broca está en contacto con la pieza de trabajo cuando se arranca el motor, la broca podría saltar y esto ocasionaría una lesión o un daño.
- **Sólo use brocas para rebajadora con un diámetro igual al tamaño del collar instalado en la herramienta.**
- **Sólo use brocas para rebajadora adecuadas para la velocidad sin carga de la herramienta.**
- **Nunca use brocas para rebajadoras con un diámetro que exceda el diámetro máximo de 35mm (1-3/8”).**
- **Esta herramienta no está diseñada para utilizarla con una mesa de rebajadora. No utilice la herramienta en posición invertida.**
- **No intente usar la herramienta en un modo estacionario.**
- **Asegúrese de que la tuerca del collar se encuentre bien ajustada para evitar que la broca se caiga durante el uso.**

⚠ ADVERTENCIA: **USE SIEMPRE LENTES DE SEGURIDAD.** *Los anteojos de uso diario NO son lentes de seguridad. Utilice también máscaras faciales o para polvo si el corte produce polvillo. UTILICE SIEMPRE EQUIPOS DE SEGURIDAD CERTIFICADOS:*

- *Protección para los ojos según la norma ANSI Z87.1 (CAN/CSA Z94.3)*
- *Protección auditiva según la norma ANSI S12.6 (S3.19)*
- *Protección respiratoria según las normas NIOSH/OSHA/MSHA*

⚠ ADVERTENCIA: parte del polvo producido por las herramientas eléctricas al lijar, aserrar, esmerilar, taladrar y realizar otras actividades de la construcción, contiene productos químicos reconocidos por el Estado de California como causantes de cáncer, defectos de nacimiento u otros problemas reproductivos. Algunos de estos productos químicos son:

- el plomo de las pinturas de base plomo,
- la sílice cristalina de ladrillos, el cemento y otros productos de mampostería, y
- el arsénico y el cromo de la madera con tratamiento químico.

El riesgo derivado de estas exposiciones varía según la frecuencia con la que se realice este tipo de trabajo. Para reducir la exposición a estos productos químicos: trabaje en áreas bien ventiladas y trabaje con equipos de seguridad aprobados, como las máscaras para polvo especialmente diseñadas para filtrar las partículas microscópicas.

• **Evite el contacto prolongado con el polvo procedente del lijado, serrado, esmerilado y taladrado eléctricos, así como de otras actividades del sector de la construcción. Lleve ropa protectora y lave con agua y jabón las zonas expuestas. Si permite que el polvo se introduzca en la boca u ojos o quede sobre la piel, puede favorecer la absorción de productos químicos peligrosos.**

⚠ ADVERTENCIA: El uso de esta herramienta puede generar o dispersar polvo lo cual puede causar lesiones respiratorias serias y permanentes y otros tipos de lesión. Siempre use protección respiratoria aprobada por NIOSH/OSHA para la exposición al polvo. Dirija las partículas en dirección opuesta a su cara y cuerpo.

⚠ PRECAUCIÓN: Mientras use la herramienta, utilice la protección auditiva adecuada. En ciertas circunstancias y según el período de uso, el ruido provocado por este producto puede originar pérdida de audición.

SÍMBOLOS

• La etiqueta de su herramienta puede incluir los siguientes símbolos. Los símbolos y sus definiciones son los siguientes:

V..... voltios	A..... amperios
Hz..... hertz	W..... vatios
min..... minutos	~..... corriente alterna
====..... corriente directa	n _o no velocidad sin carga
Ⓜ..... Construcción Clase I (mis à la terre)	⊖..... terminal a tierra
Ⓜ..... Construcción de clase II	⚠..... simbolo de alerta
.../min..... revoluciones o minuto seguridad	
📖..... Lea el manual de instrucciones antes del uso	
👁..... Use protección adecuada para las vías respiratorias	
👁..... Use protección adecuada para los ojos	
👂..... Use protección adecuada para los oídos	

• Cuando use un alargador, asegúrese de usar uno de un calibre suficiente como para cargar con la corriente que requerirá su producto. Un alargador de menor calibre causará una caída en el voltaje de la línea lo que resultará en pérdida de potencia y sobrecalentamiento. El siguiente cuadro muestra el tamaño correcto a utilizar, dependiendo del largo del cable y el amperaje nominal. En caso de duda, utilice el de mayor calibre. Mientras menor el número del calibre, mayor la capacidad del cable.

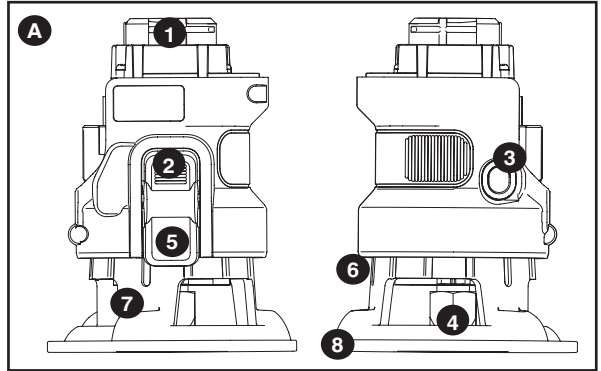
Calibre minimal des cordons de rallonge					
Tension	Longueur totale du cordon en pieds				
120V	0-25	26-50	51-100	101-150	
	(0-7,6m)	(7,6-15,2m)	(15,2-30,4m)	(30,4-45,7m)	
240V	0-50	51-100	101-200	201-300	
	(0-15,2m)	(15,2-30,4m)	(30,4-60,9m)	(60,9-91,4m)	
Intensité (A)					
Au moins	Au plus	Calibre moyen des fils (AWG)			
0 - 6	18	16	16	14	14
6 - 10	18	16	14	12	12
10 - 12	16	16	14	12	12
12 - 16	14	12	Non recommandé		

CONSERVE ESTAS INSTRUCCIONES

DESCRIPCIÓN FUNCIONAL

Figura A

1. Aditamento de rebajadora
2. Botón de bloqueo del eje
3. Botón de bloqueo en apagado
4. Collar
5. Barra de tope de profundidad
6. Regla de profundidad de corte
7. Protector contra astillas
8. Base



Llave (no se muestra)

OPERACIÓN

⚠ **PRECAUCIÓN:** Riesgo de descarga eléctrica. Bajo ninguna circunstancia utilice este producto cerca de agua.

⚠ **ADVERTENCIA:** Riesgo de laceraciones o quemaduras. No toque la pieza de trabajo ni la hoja inmediatamente después de hacer funcionar la herramienta. Pueden calentarse mucho. Manipúlelas con cuidado. Siempre espere a que los accesorios y la pieza de trabajo se enfrien antes de manipularlos.

⚠ **ADVERTENCIA:** Para reducir el riesgo de lesiones, apague la herramienta y quítele la batería o desconecte el enchufe de la fuente de alimentación antes de realizar cualquier ajuste o de quitar o instalar aditamentos o accesorios. Quite todo accesorio del aditamento antes de quitar o instalar el aditamento.

IMPORTANTE: Consulte el manual de instrucciones de la unidad motriz antes de utilizar esta herramienta para conocer todas las advertencias y detalles sobre la instalación y extracción de aditamentos.

FUNCIONAMIENTO

- Para encender la herramienta, oprima el interruptor de velocidad variable. La velocidad de la herramienta depende de cuánto presione el interruptor.
- Para apagar la herramienta, suelte el interruptor de velocidad variable.

NOTA: Funcione el ranurador a la velocidad completa siempre.

NOTA: Este aditamento de la herramienta funciona únicamente en la dirección de avance; no debiera ser posible cambiar a reversa el interruptor deslizante de avance/reversa de la unidad motriz.

INSTALACIÓN Y EXTRACCIÓN DE UNA BROCA PARA REBAJADORA

⚠ **ADVERTENCIA:** Para reducir el riesgo de lesiones, apague la herramienta y quítele la batería o desenchúfela de la fuente de alimentación antes de realizar cualquier ajuste o de quitar o instalar aditamentos o cambiar brocas. De lo contrario, podría arrancar accidentalmente y provocar lesiones.

INSTALACIÓN Y EXTRACCIÓN DE BROCAS (FIG. B)

NOTAS:

- NO SE RECOMIENDA EL USO DE LA REBAJADORA CON BROCAS PARA PANELES EN RELIEVE.
- NO SE RECOMIENDA EL USO DE LA REBAJADORA EN APLICACIONES DE CORTE EN METAL.
- NO UTILICE NINGUNA BROCA PARA REBAJADORA CON UN DIÁMETRO SUPERIOR A 35 MM (1-3/8 PULGADA).

⚠ **ATENCIÓN:** LAS BROCAS PARA REBAJADORA SON FILOSAS; TENGA CUIDADO AL MANIPULARLAS.

INSTALACIÓN DE BROCAS

⚠ ADVERTENCIA: Apague la rebajadora y quite la batería de la herramienta o desconecte el enchufe de la fuente de alimentación.

La rebajadora está equipada con una función de bloqueo del eje que facilita los cambios de broca. Sostenga el eje oprimiendo el botón de bloqueo del eje como se muestra en la figura B y utilice la llave provista para aflojar (en sentido contrario a las agujas del reloj) la tuerca del collar. Ajuste la tuerca del collar firmemente en sentido de las agujas del reloj.

- Mantenga oprimido el botón de bloqueo del eje (2) y gire el eje hasta que el bloqueo del mismo quede totalmente trabado.
- Coloque la rebajadora mirando hacia arriba sobre una superficie plana y lisa.
- Afloje la tuerca del collar (4) utilizando la llave provista. Inserte el vástago de la broca para rebajadora en el collar (4).
- Asegúrese de que el vástago sobresalga al menos 1,5 mm (1/16 pulgada) del collar.
- Mantenga oprimido el botón del bloqueo del eje (2) y ajuste la tuerca del collar en sentido de las agujas del reloj (no la ajuste en exceso) utilizando la llave provista.

NOTA: Si la base de la rebajadora está configurada a su máxima profundidad, la tuerca del collar no se puede ajustar debidamente. Siempre asegúrese de que si la base de la rebajadora está ajustada a su máxima profundidad, esta pueda moverse hacia atrás varios giros (en sentido contrario a las agujas del reloj.) antes de ajustar o aflojar las brocas para rebajadora. Consulte “Configuración de la profundidad de la rebajadora” a continuación para el ajuste de la base de la rebajadora.

⚠ ATENCIÓN: NUNCA AJUSTE LA TUERCA DEL COLLAR SIN UNA BROCA CON UN VÁSTAGO TAMAÑO 6,4 MM (1/4 PULGADA) INSERTA EN EL COLLAR. HACERLO PODRÍA ROMPER O DAÑAR EL COLLAR.

EXTRACCIÓN DE BROCAS

⚠ ATENCIÓN: Peligro de quemaduras. Las brocas para rebajadora se calientan durante el uso. Deje que la broca se enfríe antes de reemplazarla.

- Mantenga oprimido el botón del bloqueo del eje (2).
- Coloque el router al revés sobre una superficie lisa y plana.
- Afloje (en sentido contrario a las agujas del reloj) la tuerca del collar (4) utilizando la llave provista.
- Suelte el botón y quitar poco.

CONTROLES

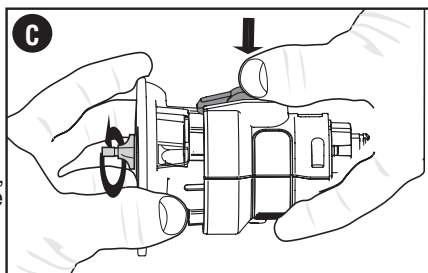
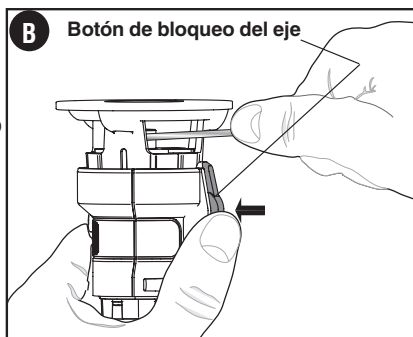
⚠ ADVERTENCIA: Para reducir el riesgo de lesiones, no sobrecargue la herramienta. Deje que trabaje a su propio ritmo.

⚠ ADVERTENCIA: Para reducir el riesgo de lesiones, apague la herramienta y quítele la batería o desenchúfela de la fuente de alimentación antes de realizar cualquier ajuste o de quitar o instalar aditamentos o accesorios.

CONFIGURACIÓN DE LA PROFUNDIDAD DE REBAJE (FIG. C)

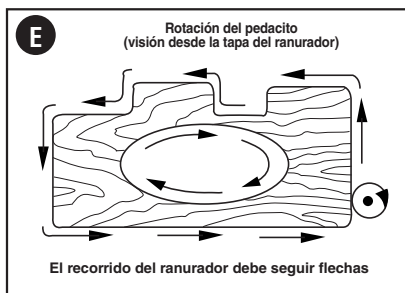
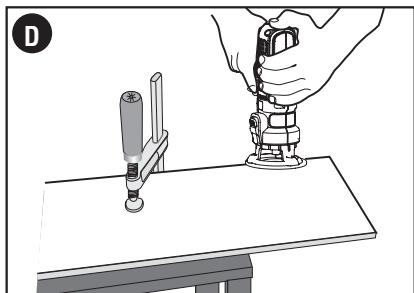
⚠ ADVERTENCIA: Apague la rebajadora y quite la batería de la herramienta o desconecte el enchufe de la fuente de alimentación.

1. Oprima el botón de bloqueo del eje y gire la base de la rebajadora como se muestra en la figura C. Girar la base en sentido de las agujas del reloj aumentará la profundidad de rebaje en tanto que girar la base en sentido de las agujas del reloj reducirá la profundidad. Dos giros completos de la base equivalen a aproximadamente 2 milímetros.
2. Después de obtener la profundidad de rebaje deseada, suelte el botón de bloqueo del eje. Siga girando la base hasta que la muesca debajo del botón de bloqueo del eje quede alineada con la siguiente ranura de bloqueo más cercana de la regla de profundidad de corte (6).



USO DE LA REBAJADORA (FIGURAS D Y E)

1. Asegúrese de que el material a cortar esté sujeto firmemente y suficientemente estable para soportar la rebajadora durante el uso.
2. Utilice ambas manos sobre la unidad motriz para controlar la rebajadora y hágala funcionar a velocidad máxima en todo momento. Consulte la **figura D**.
3. Mueva la rebajadora en sentido contrario a las agujas del reloj al cortar bordes externos. Muévela en sentido de las agujas del reloj al cortar bordes internos. Consulte la **figura E**.



VELOCIDAD DE AVANCE Y DE CORTE

La variación entre materiales y las configuraciones de la broca imponen una gran variedad de velocidades de alimentación. La experiencia es la mejor medida para determinar la velocidad de alimentación. Familiarícese con el sonido y sensación de la rebajadora mediante la realización de cortes de práctica en material desechable.

La broca de la rebajadora gira a una muy alta velocidad y puede calentarse si la rebajadora se mueve muy lentamente por la madera y podría dejar marcas de quemadura. Si se hace avanzar la rebajadora muy rápidamente o si se intenta eliminar demasiado material en una sola pasada, el motor puede sobrecargarse. Utilice dos o más pasadas para cortes extra grandes (más de (3,2 mm [1/8 pulgada] de profundidad), especialmente en maderas duras.

CONSEJOS PARA UN USO ÓPTIMO

Al trabajar en bordes externos, mueva la herramienta en sentido contrario a las agujas del reloj (**figura E**). Al trabajar en bordes internos, mueva la herramienta en sentido de las agujas del reloj.

- Use pilot (ball bearing) router bits for edge profile cutting.
- Para madera blanda, utilice brocas para rebajadora de acero de alta velocidad (HSS).
- Para madera dura, utilice brocas para rebajadora con punta de carburo de tungsteno (TCT).

DETECCIÓN DE PROBLEMAS

Problema	Causa posible	Solución posible
• La unidad no enciende.	• El accesorio no está asegurado.	• Asegúrese de empujar por completo el accesorio dentro de la unidad motriz.

Para recibir asistencia con su producto, visite nuestro sitio web www.blackanddecker.com para conocer la ubicación del centro de mantenimiento más cercano o llame a la línea de ayuda de BLACK & DECKER al **1-800-544-6986**.

NOTA: Consulte el manual de instrucciones de la unidad motriz para conocer las soluciones a los problemas relacionados con la operación de la unidad motriz.

MANTENIMIENTO

Utilice únicamente jabón suave y un trapo húmedo para limpiar la herramienta. Nunca permita que se introduzcan líquidos en la herramienta; nunca sumerja ninguna parte de la herramienta en ningún líquido. **IMPORTANTE:** Para garantizar la SEGURIDAD y la CONFIABILIDAD del producto, la reparaciones, el mantenimiento y los ajustes deberán efectuarse en centros de servicio autorizado u otras organizaciones de servicio calificado, que utilicen siempre refacciones idénticas.

ACCESORIOS

⚠ ADVERTENCIA: El uso de accesorios no recomendados para utilizar con esta herramienta puede resultar peligroso.

Los accesorios que se recomiendan para la herramienta están disponibles en su distribuidor local o en el centro de servicio autorizado. Si necesita ayuda con respecto a los accesorios, llame al: **1-800-544-6986**.

Este mecanismo cumple con la parte 15 de las normas de la Comisión Federal de Comunicaciones de Estados Unidos (FCC). La operación está sujeta a las dos condiciones siguientes: (1) Este mecanismo posiblemente no cause interferencia perjudicial; y (2) este mecanismo puede aceptar cualquier interferencia recibida, incluso interferencia que podría provocar una operación no deseada.

NOTA: Este equipo ha sido probado y se encontró que cumple con los límites para dispositivo digital Clase B, según la parte 15 de las normas de la FCC. Estos límites están diseñados para brindar protección razonable contra interferencia perjudicial en una instalación residencial. Este equipo genera, usa y puede irradiar energía en frecuencia de radio y, si no se instala y se usa de acuerdo con las instrucciones, puede provocar interferencia perjudicial en las comunicaciones de radio. Sin embargo, no hay garantía de que la interferencia no ocurra en una instalación en particular. Si este equipo provoca interferencia perjudicial en la recepción de radio o televisión, lo que se puede determinar al apagar y encender el equipo, el usuario debe tratar de corregir la interferencia mediante una o más de las siguientes medidas:

- Cambiar la orientación o la ubicación de la antena de recepción.
- Aumentar la separación entre el equipo y el receptor.
- Conectar el equipo a un tomacorriente sobre un circuito diferente de aquel al que está conectado el receptor.
- Consultar al vendedor o pedir la ayuda de un técnico en radio y televisión con experiencia.

Los cambios o las modificaciones que se le realicen a esta unidad sin aprobación expresa del tercero responsable del cumplimiento pueden anular la autorización del usuario para operar el equipo. Este aparato digital de la clase B se conforma con ICES-003 canadiense.

INFORMACIÓN DE MANTENIMIENTO

Todos los Centros de servicio de Black & Decker cuentan con personal altamente capacitado dispuesto a brindar a todos los clientes un servicio eficiente y confiable en la reparación de herramientas eléctricas. Si necesita consejo técnico, reparaciones o piezas de repuesto originales de fábrica, póngase en contacto con el centro de servicio de Black & Decker más cercano a su domicilio. Para ubicar su centro de servicio local, consulte la sección "Herramientas eléctricas" (Tools-Electric) de las páginas amarillas, llame al **1-800-544-6986** o visite nuestro sitio **www.blackanddecker.com**.

GARANTÍA COMPLETA DE DOS AÑOS PARA USO EN EL HOGAR

Black & Decker (Estados Unidos) Inc. ofrece una garantía de dos años por cualquier defecto del material o de fabricación de este producto. El producto defectuoso se reparará o reemplazará sin costo alguno de dos maneras.

La primera opción, el reemplazo, es devolver el producto al comercio donde se adquirió (siempre y cuando se trate de un comercio participante). Las devoluciones deben realizarse conforme a la política de devolución del comercio (generalmente, entre 30 y 90 días posteriores a la venta). Le pueden solicitar comprobante de compra. Consulte en el comercio acerca de la política especial sobre devoluciones una vez excedido el plazo establecido.

La segunda opción es llevar o enviar el producto (con flete pago) a un Centro de servicio propio o autorizado de Black & Decker para su reparación o reemplazo según nuestro criterio. Le pueden solicitar el comprobante de compra. Los Centros de servicio autorizados y de propiedad de Black & Decker se detallan en la sección

"Herramientas eléctricas" (Tools-Electric) de las páginas amarillas de la guía telefónica. Esta garantía no se extiende a los accesorios. Esta garantía le concede derechos legales específicos; usted puede tener otros derechos que pueden variar según el estado o la provincia. Si tiene alguna pregunta, comuníquese con el gerente del Centro de servicio de Black & Decker de su zona. Este producto no está diseñado para uso comercial.

REEMPLAZO DE LAS ETIQUETAS DE ADVERTENCIA

Si sus etiquetas de advertencia se vuelven ilegibles o faltan, llame al (888) 848-5175 para que se las reemplacen gratuitamente.

AMÉRICA LATINA: esta garantía no se aplica a los productos que se venden en América Latina. Para los productos que se venden en América Latina, debe consultar la información de la garantía específica del país que viene en el empaque, llamar a la compañía local o visitar el sitio Web a fin de obtener esa información.

**· GARANTÍA BLACK & DECKER · BLACK & DECKER WARRANTY
· SOLAMENTE PARA PROPOSITOS DE MEXICO**

Distributor Name · **Sello firma del distribuidor**

Date of purchase · **Fecha de compra**

Invoice No. · No. de factura

PRODUCT INFORMATION · IDENTIFICACIÓN DEL PRODUCTO

Cat. No. · **Catalogo ó Modelo**

Serial Number · No. de serie

Name · **Nombre**

Last Name · Apellido

Address · **Dirección**

City · **Ciudad**

State · Estado

Postal Code · **Código Postal**

Country · País

Telephone · **No. Teléfono**

ESTA GARANTIA NO APLICA CUANDO:

El producto se hubiese utilizado en condiciones distintas a las normales.

El producto no hubiese sido operado de acuerdo con el instructivo de uso que se acompaña.

El producto hubiese sido alterado o reparado por personas no autorizadas por nosotros.

Importador: Black & Decker S.A. de .C.V

Bosque de Cidros Acceso Radiatas No.42

3ra.Seccion de Bosques de las lomas

C.P.05120, Mexico, D.F. Tel: (01 55) 5326 7100

SOLAMENTE PARA PROPOSITOS DE MEXICO

Grupo Realsa en herramientas, S.A. de C.V.

Súper Manzana 69 MZ.01 Lote 30
(Av. Torcasita)
Col. Puerto Juárez
Cancún, Quintana Roo
Tel. 01 998 884 72 27

Ferre Pat de Puebla, S.A. de C.V.

16 de Septiembre No. 6149
Col. El Cerrito
Puebla, Puebla
Tel. 01 222 264 12 12

Ferre Pat de Puebla, S.A. de C.V.

Ejército Mexicano No. 15
Col. Ejido 1ro. de Mayo
Boca del Río, Veracruz
Tel. 01 229 167 89 89

Servicio de Fabrica Black & Decker, S.A. de C.V.

Lázaro Cardenas No. 18
Col. Obrera
Distrito Federal
Tel. 55 88 95 02

Representaciones Industriales Robles, S.A. de C.V.

Tezomoc No. 89
Col. La Preciosa
Distrito Federal
Tel. 55 61 86 82

Gpo. Comercial de Htas. y Refacciones de Occidente, S.A. de C.V.

Av. La Paz No. 1779
Col. Americana, S. Juárez
Guadalajara, Jalisco
Tel. 01 33 38 25 69 78

Herramientas y Equipos Profesionales

Av. Colón 2915 Ote.
Col. Francisco I. Madero
Monterrey, Nvo. León
Tel. 01 81 83 54 60 06

Hts. Portátiles de Chihuahua, S.A. de C.V.

Av. Universidad No. 2903
Col. Fracc. Universidad
Chihuahua, Chihuahua
Tel. 01 614 413 64 04

Fernando González Armenta

Bolivia No. 605
Col. Felipe Carrillo Puerto
Cd. Madero, Tampico
Tel. 01 833 221 34 50

Perfiles y Herramientas de Morelia

Gertrudis Bocanegra No. 898
Col. Ventura Puente
Morelia, Michoacán
Tel. 01 443 313 85 50

Enrique Robles

Av. de la Solidaridad No. 12713
Col. La Pradera
Irapuato, Guanajuato
Tel. 01 462 626 67 39

Hernández Martínez Jeanette

Prolongación Corregidora Nte. No. 1104
Col. Arboledas
Querétaro, Qro.
Tel. 01 442 245 25 80

PARA OTRAS LOCALIDADES LLAME AL 01 800 847 2309 o 01 800 847 2312.

**Vea “Herramientas
eléctricas (Tools-Electric)”**
– Páginas amarillas –
para Servicio y ventas



BLACK & DECKER S.A. DE C.V.
BOSQUES DE CIDROS ACCESO RADIATAS NO. 42
COL. BOSQUES DE LAS LOMAS.
05120 MÉXICO, D.F.
TEL. (01 55) 5326 7100
01 800 847 2309/01 800 847 2312